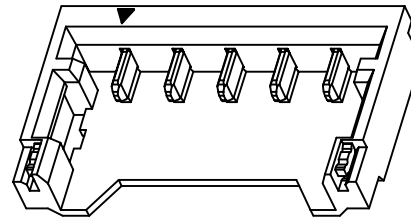
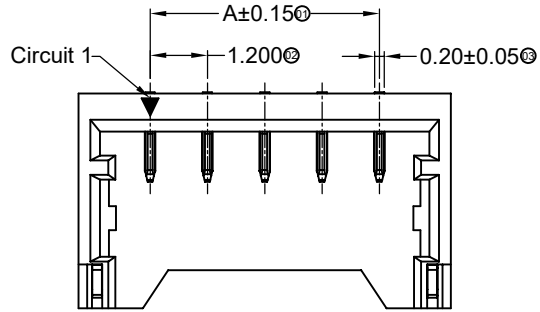


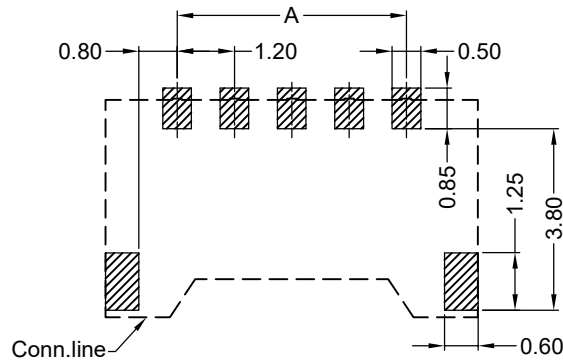
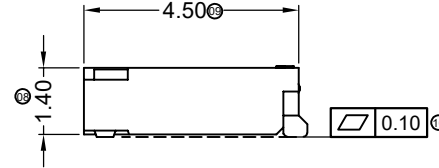
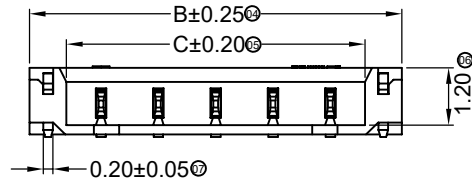
RoHS Compliant

REVISIONS			
REV.	DESCRIPTION	DATE	DESIGN



■ Specifications :

- Voltage rating: 50V AC / DC
- Current rating: 1.5A AC / DC
- Withstanding voltage: 500V AC/minute
- Temperature range: -25°C~+85°C
- Insulation resistance: ≥100MΩ
- Contact resistance: ≤20MΩ
- After environmental testing: ≤40MΩ



Recommended P.C.B Layout  
General Tolerance±0.05

Poles	Dimensions(mm)			
	A	B	C	D
02	1.20	4.20	2.65	3.65
03	2.40	5.40	3.85	4.85
04	3.60	6.60	5.05	6.05
05	4.80	7.80	6.25	7.25
06	6.00	9.00	7.45	8.45
07	7.20	10.20	8.65	9.65
10	10.80	13.80	12.25	13.25

Part No.	Material	Material(Pin)	Finish(Pin)	Material (Solder Tabs)	Finish (Solder Tabs)
1202WRS-XXS-LPV1	LCP UL 94V-0	Phorphos Bronze	Gold-Flash	Brass	Tin Plating Matte

**Bestcreate Technology Limited**

TOLERANCES UNLESS OTHERWISE SPECIFIED:

.X	± 0.30	X'	± 3'
.XX	± 0.20	.X'	± 2'
.XXX	± 0.10	.XX'	± 1'

Website:www.bsc-elec.com  
Email:bestcreate@bsc-elec.com

DESIGN: I. L  
DATE: 2017. 3. 1

CHECKED: C. W  
DATE: 2017. 3. 1

APPROVED: C. W  
DATE: 2017. 3. 1

TITLE: 1. 20MM SMT 90度 Wafer

MATERIAL: FINISH: PART NO: 1202WRS-XXS-LPV1 SIZE: A4

DWG NO: 1202WRS-XXS-LPV1

REV: A UNIT mm SCALE 1=1 QUALITY SYMBOLS