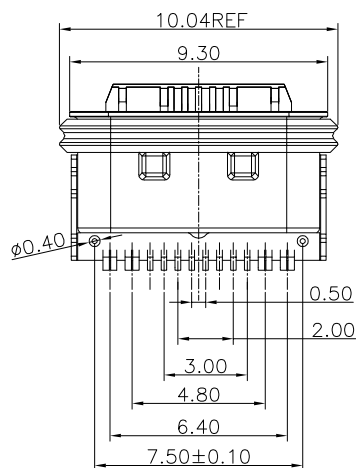
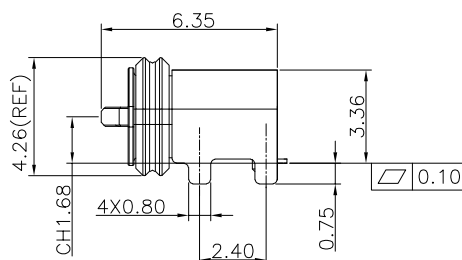
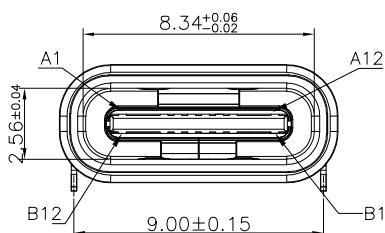
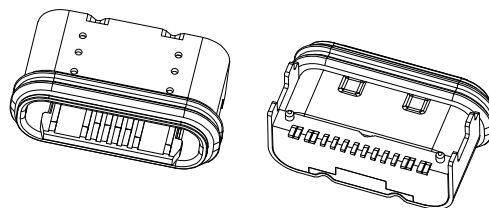
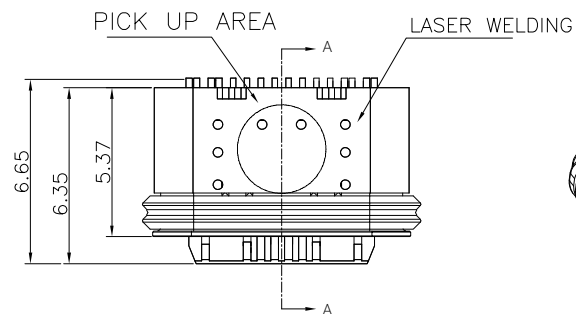


RoHS Compliant

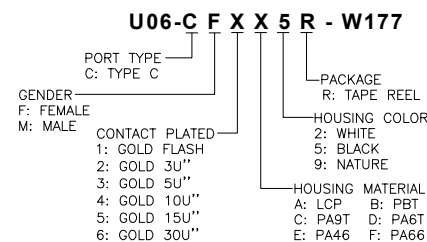
REVISIONS			
REV.	DESCRIPTION	DATE	DESIGN



- SPECIFICATION:
- CURRENT RATING: 5.0 A
 - VOLTAGE RATING: 5.0 V
 - VBUS & GND PINS AND OTHER PINS: 40mΩ/PIN MAX
SHIELD: 50mΩ/MAX
LLCR MAX. CHANGE OF ALL PINS: 10Ωm
 - INSULATION RESISTANCE: 100MΩ MIN
 - DIELECTRIC WITHSTAND VOLTAGE, AC 100V FOR 1MINUTE
 - INSERTION FORCE: 0.5~2.0kgf
 - UNMATING FORCE: 0.8~2.0kgf
 - DURABILITY: 10000 CYCLES
 - OPERATING TEMPERATURE: -25°C~+85°C
 - THE PEAK TEMPERATURE ON THE BOARD SHALL BE MAINTAINED FOR 10 SECONDS AT 260°C
 - WATERPROOF: IPX5

TID No. 11435

PART NO. INFORMATION



PIN DEFINITION:

PIN No.	A1	A4	A5	A6	A7	A8	A9	A12
SIGNAL NAME	GND	VBus	CC1	D+	D-	SBU1	VBus	GND
PIN No.	B12	B9	B8	B7	B6	B5	B4	B1
SIGNAL NAME	GND	VBus	SBU2	D-	D+	CC2	VBus	GND

TABLE:

NO.	PARTS	MATERIAL	REMARKS
1	INNER Shell	STAINLESS STEEL	SUS316 Ni PLATED 50u''
2	Out shell	STAINLESS STEEL	SUS304 Ni PLATED 50u''
3	MID PLATE	STAINLESS STEEL	SUS304 NO PLATED
4	EMI	STAINLESS STEEL	SUS304 NO PLATED
5	HOUSING	HIGH TEMPERATURE PLASTIC	PA9T BLACK UL 94 V-0
6	CONTACT	COPPER ALLOY(C7025)	Au Plated On Contact Area GF Plated On Solder Area; Nickel 50u''Min Underplating Over All.
7	WATERPROOF RING	SILICA GEL	/
8	GLUE	SL407	/

Bestcreate Technology Limited

TOLERANCES UNLESS OTHERWISE SPECIFIED:

X.	± 0.20	X.'	± 5'
.XX	± 0.15	.X'	± 2'
.XXX	± 0.10	.XX'	± 1'

Website: www.bsc-elec.com
Email: bestcreate@bsc-elec.com

DESIGN: I. L DATE: 2018. 7. 7

CHECKED: C. W DATE: 2018. 7. 7

APPROVED: C. W DATE: 2018. 7. 7

TITLE: IPX5 16P WATERPROOF USB C FEMALE CONNECTOR SMT, L=5.37MM

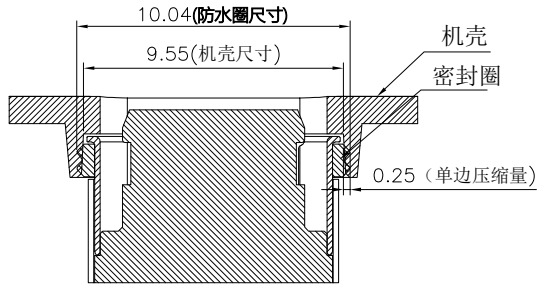
MATERIAL: PART NO: U06-CFXX5R-W177 SIZE: A4

FINISH: DWG NO: U06-CFXX5R-W177 1 OF 2

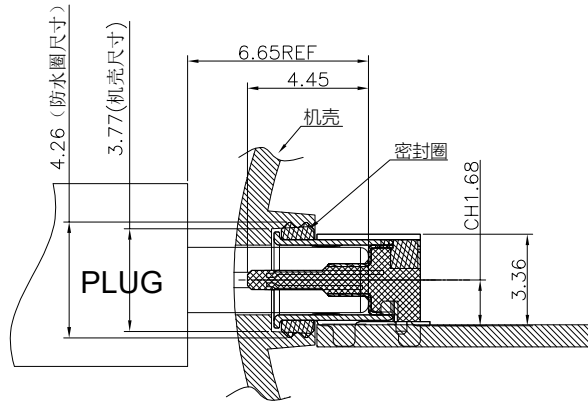
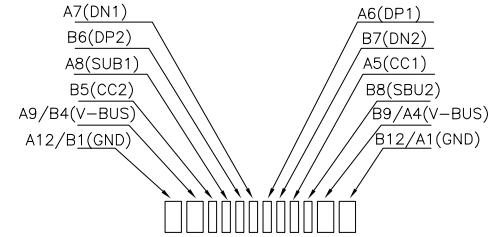
REV: A UNIT mm SCALE 1=1 QUALITY SYMBOLS

RoHS Compliant

REVISIONS			
REV.	DESCRIPTION	DATE	DESIGN

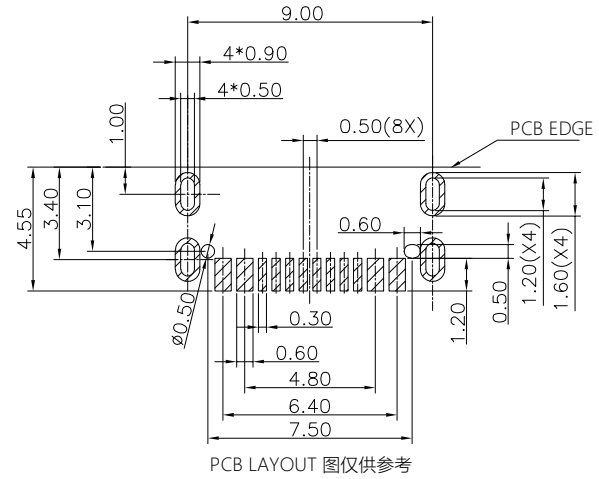


装配示意图



SECTION A-A

装配示意图



Bestcreate Technology Limited

TOLERANCES UNLESS OTHERWISE SPECIFIED:

X.	± 0.20	X."	± 5'
.XX	± 0.15	.X"	± 2'
.XXX	± 0.10	.XX"	± 1'

Website: www.bsc-elec.com
Email: bestcreate@bsc-elec.com

DESIGN: I. L
DATE: 2018. 7. 7

CHECKED: C. W
DATE: 2018. 7. 7

APPROVED: C. W
DATE: 2018. 7. 7

TITLE: IPX5 16P WATERPROOF USB C FEMALE CONNECTOR SMT, L=5.37MM

MATERILA: PART NO: U06-CFXX5R-W177
SIZE: A4

FINSH: DWG NO: U06-CFXX5R-W177
2 OF 2

REV: A	UNIT: mm	SCALE: 1=1	QUALITY SYMBOLS
--------	----------	------------	-----------------