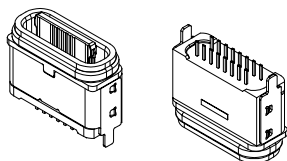
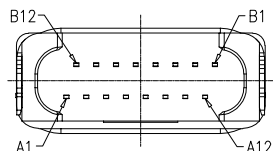
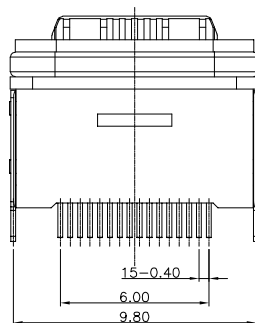
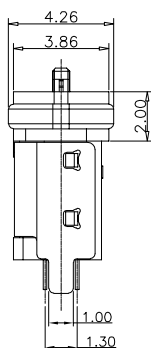
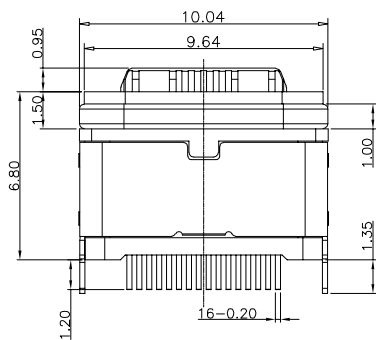
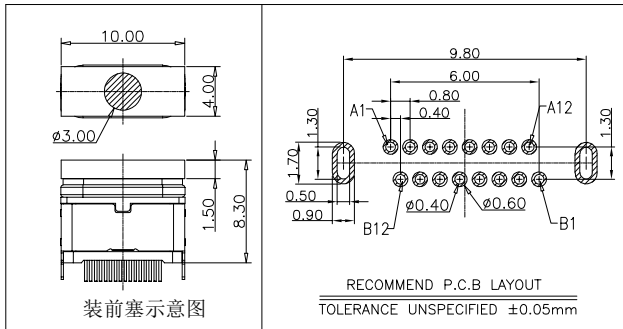
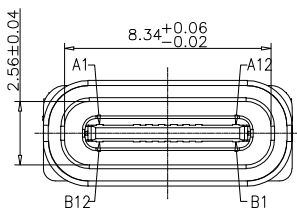


RoHS Compliant



REVISIONS

| REV. | DESCRIPTION | DATE | DESIGN |
|------|-------------|------|--------|
| | | | |

NOTES:

SPECIFICATION:

- CURRENT RATING: 3.0 A
- VOLTAGE RATING: 3.0 V
- VBUS & GND PINS AND OTHER PINS: 40mΩ/PIN MAX SHIELD: 50mΩ/MAX
LLCR MAX. CHANGE OF ALL PINS: 100m
- INSULATION RESISTANCE: 100MΩ MIN
- DIELECTRIC WITHSTAND VOLTAGE, AC 100V FOR 1MINUTE
- INSERTION FORCE: 0.5-2.0kgf
- UNMATING FORCE: 0.8-2.0kgf
- DURABILITY: 10000 CYCLES
- OPERATING TEMPERATURE: -35°C~+85°C
- THE PEAK TEMPERATURE ON THE BOARD SHALL BE MAINTAINED FOR 10 SECONDS AT 260°C
- WATERPROOF: IP-X7.

USB TYPE C PIN ASSIGNMENTS

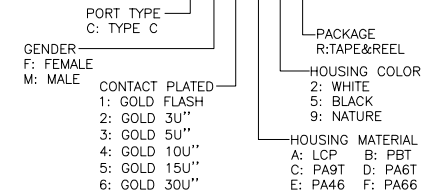
| PIN NUMBER | SIGNAL NAME | PIN NUMBER | SIGNAL NAME |
|------------|-------------|------------|-------------|
| A1 | GND | B12 | GND |
| A4 | VBUS | B9 | VBUS |
| A5 | CC1 | B8 | SBU2 |
| A6 | DP1 | B7 | DN2 |
| A7 | DN1 | B6 | DP2 |
| A8 | SBU1 | B5 | CC2 |
| A9 | VBUS | B4 | VBUS |
| A12 | GND | B1 | GND |

TABLE:

| NO | PART | Q'TY | Material |
|----|-----------------|------|----------------------------------|
| 1 | PLASTIC SHELL | 1 | PA UL94 V-0 BLACK |
| 2 | CONTACT | 16 | C7025,TIN80u"/Au3u"/Ni30u"PLATED |
| 3 | MID PLATE | 1 | SUS301,NO PLATING |
| 4 | HOUSING | 1 | LCP UL94 V-0 BLACK |
| 5 | SHIELDING PLATE | 1 | SUS,NI PLATED |
| 6 | WATERPROOF RING | 1 | SILICONE UL94 V-0 BLACK |
| 7 | CAP | 1 | LCP UL94 V-0 BLACK |

PART NO. INFORMATION

U06-C F X X 5 X - W062-V2



Bestcreate Technology Limited

TOLERANCES UNLESS OTHERWISE SPECIFIED:

| | | | |
|------|--------|-------|--------|
| .X | ± 0.30 | .X' | ± 2' |
| .XX | ± 0.10 | .X'' | ± 1' |
| .XXX | ± 0.05 | .XX'' | ± 0.5' |

Website: www.bsc-elec.com
Email: bestcreate@bsc-elec.com

DESIGN: I.L DATE:

CHECKED: C.W DATE:

APPROVED: C.W DATE:

TITLE: IPX7 Waterproof 16P USB CF Connector DIP Type, L=6.8MM

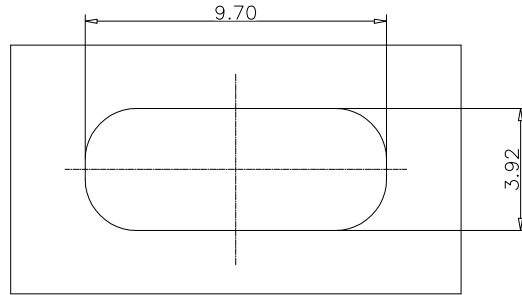
| | | |
|-----------|-----------------------------|----------|
| MATERILA: | PART NO: U06-CFXX5X-W062-V2 | SIZE: A4 |
| FINSH: | DWG NO: U06-CFXX5X-W062-V2 | 1 OF 3 |

| | | | | |
|--------|---------|-----------|-----------------|--|
| REV: A | UNIT mm | SCALE 1=1 | QUALITY SYMBOLS | |
|--------|---------|-----------|-----------------|--|

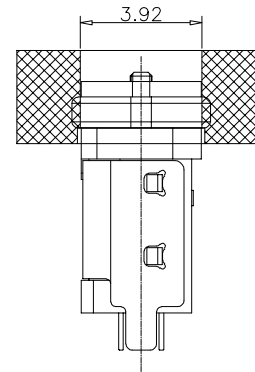
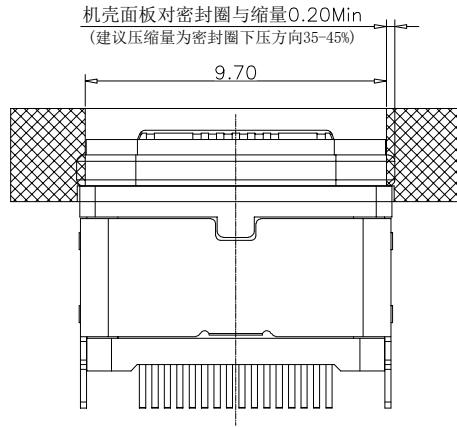
RoHS Compliant



| REVISIONS | | | |
|-----------|-------------|------|--------|
| REV. | DESCRIPTION | DATE | DESIGN |
| | | | |



密封开孔参考尺寸(只供参考)
 组装外壳时需要打环保润滑油



Bestcreate Technology Limited

TOLERANCES UNLESS OTHERWISE SPECIFIED:

| | | | |
|------|--------|------|--------|
| .X | ± 0.30 | X.* | ± 2" |
| .XX | ± 0.10 | .X* | ± 1" |
| .XXX | ± 0.05 | .XX* | ± 0.5" |

Website: www.bsc-elec.com
 Email: bestcreate@bsc-elec.com

DESIGN: I. L DATE:

CHECKED: C. W DATE:

APPROVED: C. W DATE:

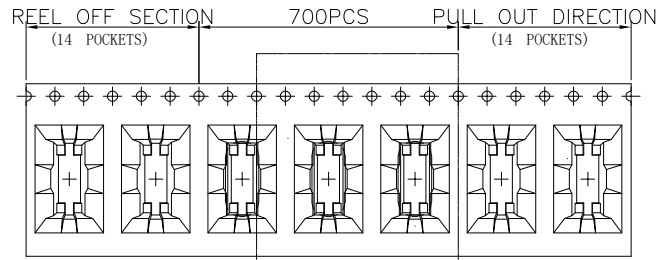
TITLE: **IPX7 Waterproof 16P USB CF Connector DIP Type, L=6.8MM**

| | | |
|-----------|--------------------------------|-------------|
| MATERILA: | PART NO: U06-CFXX5X-W062-V2 | SIZE: A4 |
| FINSH: | DWG NO: U06-CFXX5X-W062-V2 | 2 OF 3 |

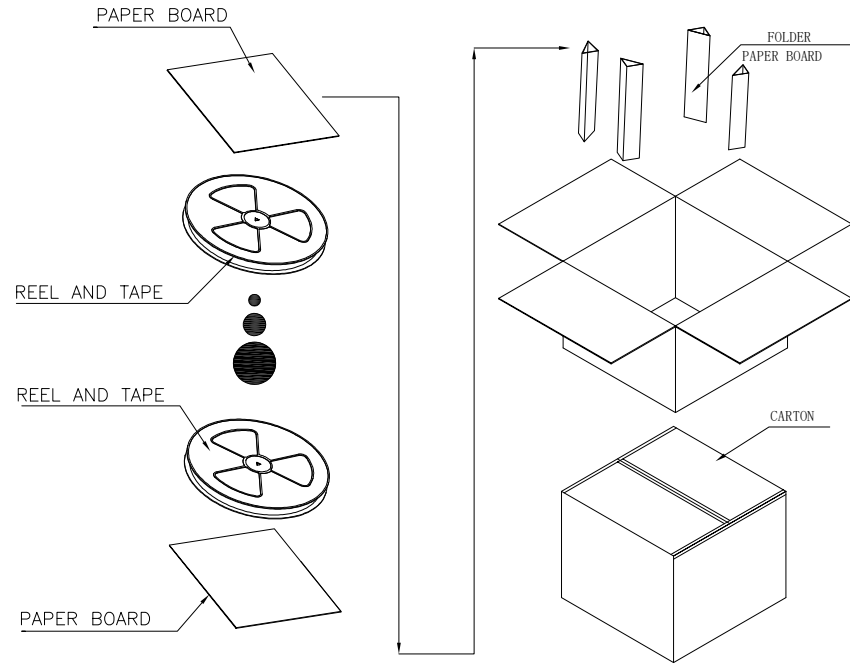
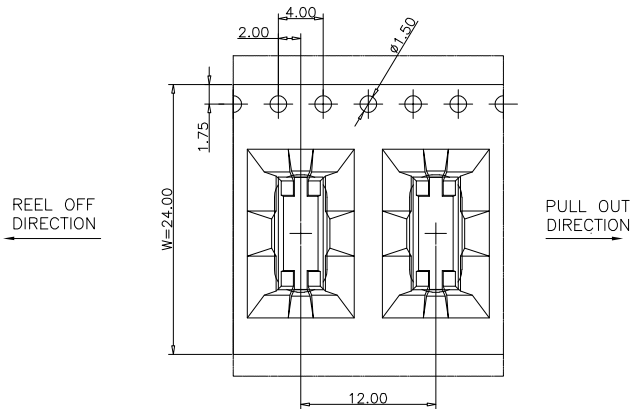
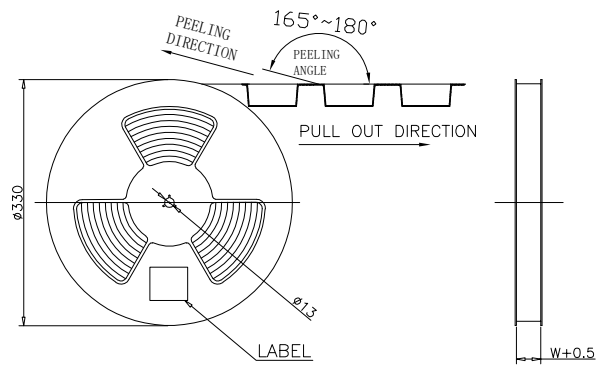
| | | | |
|--------|----------|------------|-----------------|
| REV: A | UNIT: mm | SCALE: 1=1 | QUALITY SYMBOLS |
|--------|----------|------------|-----------------|

RoHS Compliant

| REVISIONS | | | |
|-----------|-------------|------|--------|
| REV. | DESCRIPTION | DATE | DESIGN |
| | | | |



SEE DETAIL X



| | REEL | CARTON |
|-----------------|------|--------|
| CONNECTOR (PCS) | 500 | 5000 |

Bestcreate Technology Limited

TOLERANCES UNLESS OTHERWISE SPECIFIED:

| | | | |
|------|--------|-------|--------|
| .X | ± 0.30 | .X' | ± 2' |
| .XX | ± 0.10 | .X'' | ± 1' |
| .XXX | ± 0.05 | .X''' | ± 0.5' |

Website: www.bsc-elec.com
 Email: bestcreate@bsc-elec.com

DESIGN: I. L DATE:

CHECKED: C. W DATE:

APPROVED: C. W DATE:

TITLE: IPX7 Waterproof 16P USB CF Connector DIP Type, L=6.8MM

| | | |
|-----------|-----------------------------|----------|
| MATERILA: | PART NO: U06-CFXX5X-W062-V2 | SIZE: A4 |
| FINSH: | DWG NO: U06-CFXX5X-W062-V2 | 3 OF 3 |

| | | | |
|--------|---------|-----------|-----------------|
| REV: A | UNIT mm | SCALE 1=1 | QUALITY SYMBOLS |
|--------|---------|-----------|-----------------|