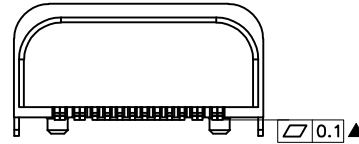
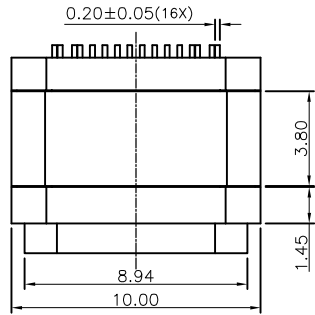
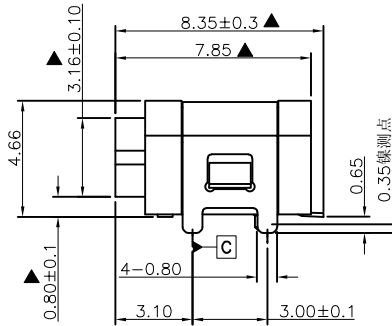
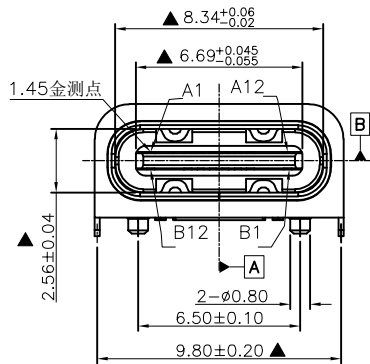
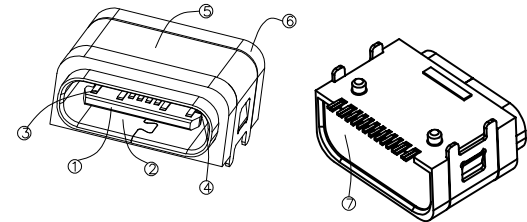


RoHS Compliant



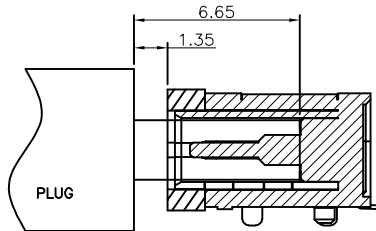
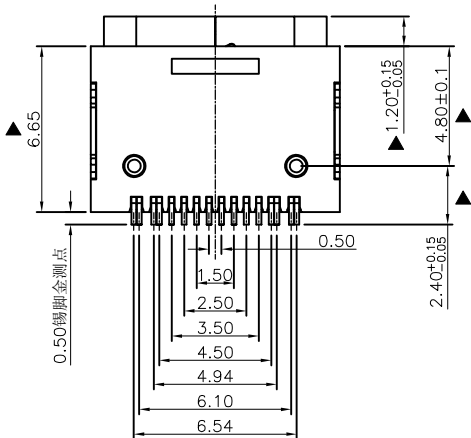
REVISIONS			
REV.	DESCRIPTION	DATE	DESIGN



PART NO. INFORMATION

U06-C F X X 5 R - W174

- PORT TYPE  
C: TYPE C
- GENDER  
F: FEMALE  
M: MALE
- CONTACT PLATED  
1: GOLD FLASH  
2: GOLD 3U"  
3: GOLD 5U"  
4: GOLD 10U"  
5: GOLD 15U"  
6: GOLD 30U"
- PACKAGE  
R: TAPE REEL
- HOUSING COLOR  
2: WHITE  
5: BLACK  
9: NATURE
- HOUSING MATERIAL  
A: LCP B: PBT  
C: PA9T D: PA6T  
E: PA46 F: PA66



MATED CONDITION(REF.)

TABLE:

NO	DESCRIPTION	QTY	MATERIAL	REMARKS
8	RUN-RING	1PCS	SILICA GEL	BLACK
7	GLUE	1PCS	环氧胶	BLACK
6	INSIDE SHELL	1PCS	STAINLESS STEEL SUS304 T=0.3MM	NI PLATED: 40U"MIN
5	OUT SHELL	1PCS	STAINLESS STEEL SUS304 T=0.2MM	NI PLATED: 40U"MIN
4	SHIELDING PLATE	1PCS	STAINLESS STEEL SUS301T=0.15MM	----
3	CONTACT	1SET	C7025 T=0.15MM	AU 1U" PLATED ON CONTACT AREA; AU OF PLATED ON SOLDER AREA; NICKEL 30U"MIN UNDERPLATING OVER ALL.
2	SHELL HOUSING	1PCS	PA46 UL94V-0	BLACK
1	HOUSING	1PCS	LCP UL94V-0	BLACK
NO	DESCRIPTION	QTY	MATERIAL	REMARKS

**Bestcreate Technology Limited**

TOLERANCES UNLESS OTHERWISE SPECIFIED:

X.	± 0.20	X.*	± 5'
.XX	± 0.15	.X'	± 2'
.XXX	± 0.10	.XX'	± 1'

Website: www.bsc-elec.com  
Email: bestcreate@bsc-elec.com

DESIGN: I. L DATE: 2018. 7. 7

CHECKED: C. W DATE: 2018. 7. 7

APPROVED: C. W DATE: 2018. 7. 7

TITLE: IPX7 16P WATERPROOF USB C FEMALE CONNECTOR TOP-MOUNT  
CH=2.38, L=7.85, SOLDER TAB=0.65(22)

MATERILA: FINSH: PART NO: U06-CFXX5R-W174 SIZE: A4

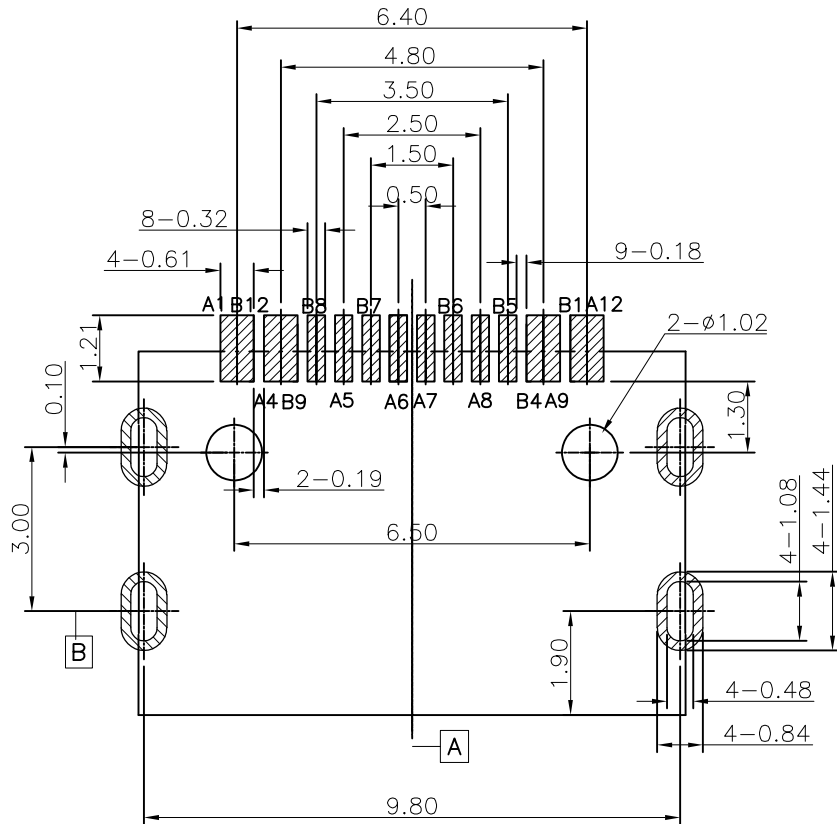
DWG NO: U06-CFXX5R-W174 1 OF 3

REV: A UNIT mm SCALE 1=1 QUALITY SYMBOLS

RoHS Compliant



REVISIONS			
REV.	DESCRIPTION	DATE	DESIGN



RECOMMENDED PCB LAYOUT

Tolerance: ±0.05mm

Scale: 2:1

NOTE:

1.ELECTRICAL:

- 1-1:CURRENT RATING:5A
- 1-2:VOLTAGE RATING:20V DC/AC (RMS. MAX)
- 1-3:INITIAL CONTACT RESISTANCE :40 MEGOHMS
- 1-4:INSULATION RESISTANCE: 100MΩ MIN
- 1-5:DIELECTRIC WITHSTANDING VOLTAGE:100V AC MIN;

2:MECHANICAL CHARACTERISTICS:

- 2-1:MATING FORCE:5~20N
- 2-2:UNMATING FORCE:8~20N(INITIAL), 6~20N(AFTER 10000 CYCLES)
- 2-3:FREQUENCY:10000 CYCLES
- 2-4:OPERATING TEMPERATURE ;-30℃~85℃.

3.SALT SPRAY:24H

4.WATERPROOF:IPX7 1.0M@30MINUTES.

5.THE SIZE WITH " " IS THE KEY CONTROL SIZE

PIN DEFINITION:

PIN No.	A1			A4	A5	A6	A7	A8	A9			A12
SIGNAL NAME	GND			VBus	CC1	D+	D-	SBU1	VBus			GND
PIN No.	B12			B9	B8	B7	B6	B5	B4			B1
SIGNAL NAME	GND			VBus	SBU2	D-	D+	CC2	VBus			GND

**Bestcreate Technology Limited**

TOLERANCES UNLESS OTHERWISE SPECIFIED:

X.	± 0.20	X.*	± 5°
.XX	± 0.15	.X*	± 2°
.XXX	± 0.10	.XX*	± 1°

Website: [www.bsc-elec.com](http://www.bsc-elec.com)  
Email: [bestcreate@bsc-elec.com](mailto:bestcreate@bsc-elec.com)

DESIGN: I. L DATE: 2018. 7. 7

CHECKED: C. W DATE: 2018. 7. 7

APPROVED: C. W DATE: 2018. 7. 7

TITLE: IPX7 16P WATERPROOF USB C FEMALE CONNECTOR  
MID MOUNT 1.13MM, EXPOSED TONGUE 0.8MM

MATERIAL: PART NO: U06-CFXX5R-W174 SIZE: A4

FINISH: DWG NO: U06-CFXX5R-W174 2 OF 3

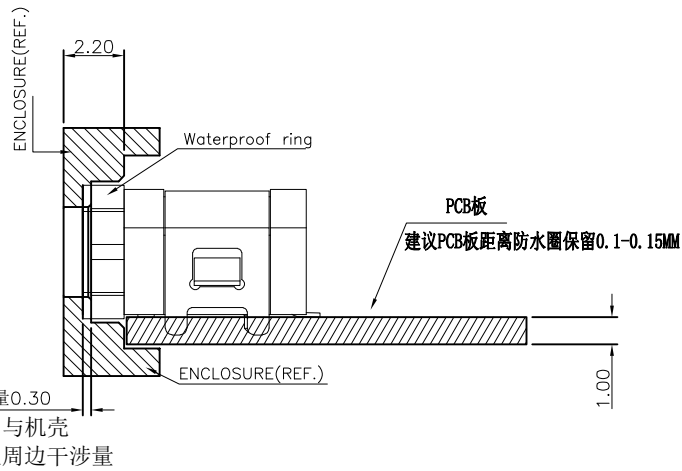
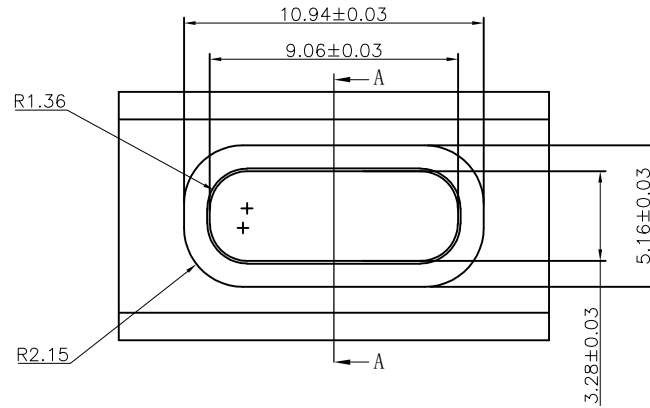
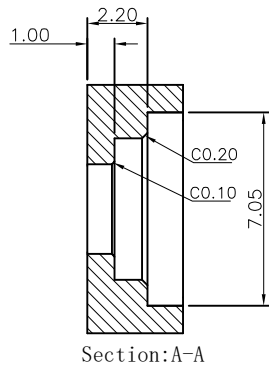
REV:	UNIT	SCALE	QUALITY SYMBOLS
A	mm	1=1	

RoHS Compliant

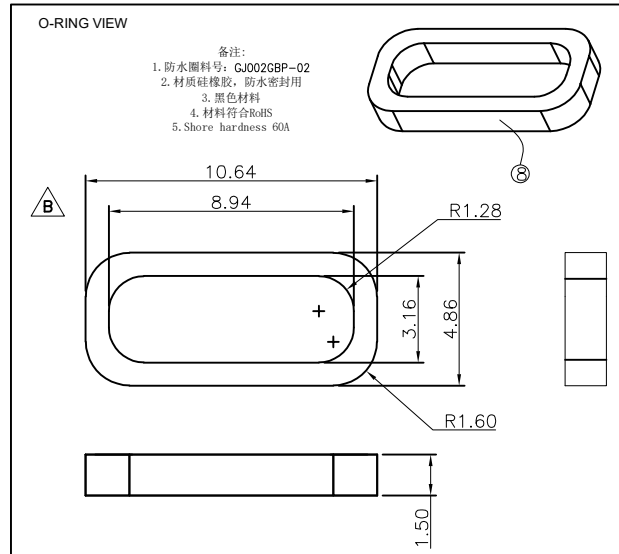


REVISIONS			
REV.	DESCRIPTION	DATE	DESIGN

机壳开孔建议尺寸图  $\triangle B$



RECOMMENDED SCHEMATIC DRAWING OF CONNECTOR MATCH CHASSIS



**Bestcreate Technology Limited**

TOLERANCES UNLESS OTHERWISE SPECIFIED:

X.	± 0.20	X.*	± 5*
.XX	± 0.15	.X*	± 2*
.XXX	± 0.10	.XX*	± 1*

Website:www.bsc-elec.com  
 Email:bestcreate@bsc-elec.com

DESIGN: I. L  
 DATE: 2018. 7. 7

CHECKED: C. W  
 DATE: 2018. 7. 7

APPROVED: C. W  
 DATE: 2018. 7. 7

TITLE: IPX7 16P WATERPROOF USB C FEMALE CONNECTOR  
 MID MOUNT 1.13MM, EXPOSED TONGUE 0.8MM

MATERILA:	PART NO: U06-CFXX5R-W174	SIZE: A4
FINSH:	DWG NO: U06-CFXX5R-W174	3 OF 3

REV: A	UNIT mm	SCALE 1=1	QUALITY SYMBOLS $\odot$ $\triangleleft$
--------	---------	-----------	---