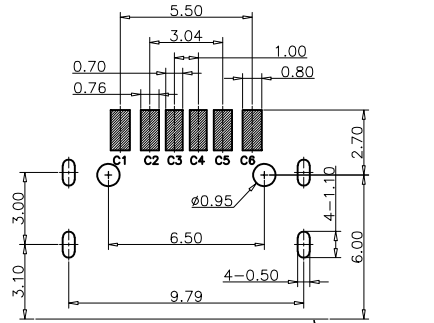
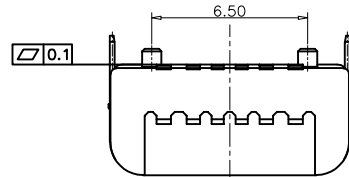
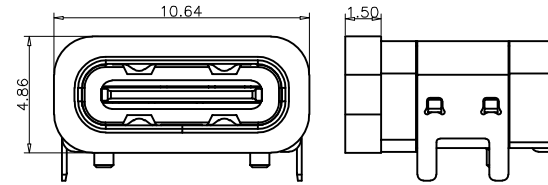


RoHS Compliant

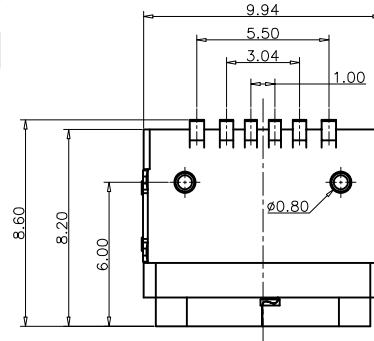
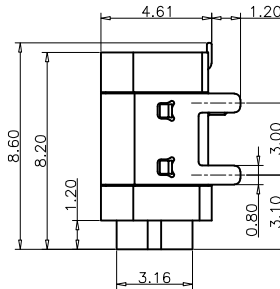
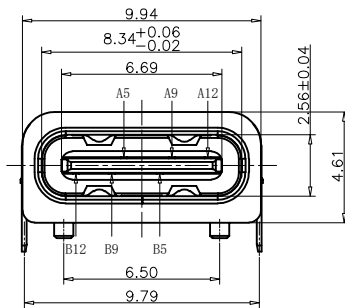
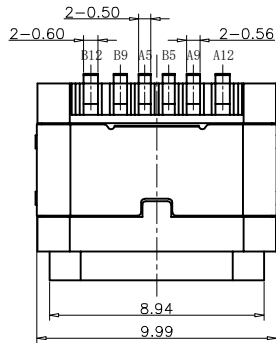


RECOMMEND P.C.B LAYOUT (COMPONENT SIDE)  
TOLERANCE FOR PCB LAYOUT IS ±0.05

REVISIONS			
REV.	DESCRIPTION	DATE	DESIGN



加防水圈示意图



- NOTES:  
SPECIFICATION:  
1. CURRENT RATING: 3.0A MAX  
2. VOLTAGE: 100 VAC  
3. TEMPERATURE RANGE: -30°C~+85°C  
4. CONTACT RESISTANCE: 40 MILLIONHM MAX  
5. INSULATION RESISTANCE: 100 MEGOHMS MIN  
6. INSERTION FORCE: 5N~20N  
7. UNMATING FORCE: 8N~20N  
8. DURABILITY: 10000 CYCLES  
9. THE PEAK TEMPERATURE ON THE BOARD SHALL BE MAINTAINED FOR 10 SECONDS AT 210-230°C  
10. WATER PROOFNESS: THIS PRODUCT IS BASED ON IPX7.

PART NO. INFORMATION

**U06-C F X X 5 R - W006**

- PORT TYPE  
C: TYPE C
- GENDER  
F: FEMALE  
M: MALE
- CONTACT PLATED  
1: GOLD FLASH  
2: GOLD 3U"  
3: GOLD 5U"  
4: GOLD 10U"  
5: GOLD 15U"  
6: GOLD 30U"
- PACKAGE  
R: TAPE REEL
- HOUSING COLOR  
2: WHITE  
5: BLACK  
9: NATURE
- HOUSING MATERIAL  
A: LCP B: PBT  
C: PA9T D: PA6T  
E: PA46 F: PA66  
G: PA10T

PIN ASSIGNMENT:

PIN NO	A1&B12	A4&B9	A5	B5	A9&B4	A12&B1
SIGNAL NAME	GND	VBUS	CC1	CC2	VBUS	GND
PCB PAD NO.	C1	C2	C3	C4	C5	C6

TABLE:

NO	PART	Q'TY	Material
1	SHELL	1	STAINLESS STEEL, NI PLATED
2	CONTACT	6	COPPER STEEL, TIN/AU/NI PLATED
3	MID PLATE	1	STAINLESS STEEL, NO PLATING
4	1MD HOUSING	1	HIGH TEMPERATURE RESISTANT PLASTIC BLACK UL94 V-0
5	2MD HOUSING	1	HIGH TEMPERATURE RESISTANT PLASTIC BLACK UL94 V-0
6	SHIELDING PLATE	1	STAINLESS STEEL, NI PLATED

**Bestcreate Technology Limited**

TOLERANCES UNLESS OTHERWISE SPECIFIED:

X.	± 0.30	X.*	± 10"
.X	± 0.20	.X.*	± 8"
.XX	± 0.10	.XX.*	± 5"

Website: [www.bsc-elec.com](http://www.bsc-elec.com)  
Email: [bestcreate@bsc-elec.com](mailto:bestcreate@bsc-elec.com)

DESIGN: I. L DATE:

CHECKED: C. W DATE:

APPROVED: C. W DATE:

TITLE: IPX7 6P USB CF WATERPROOF CONNECTOR

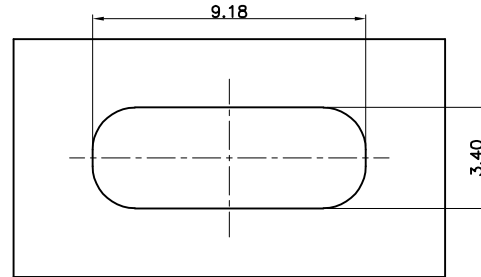
MATERIAL:	PART NO: U06-CFXX5R-W006	SIZE: A4
FINISH:	DWG NO: U06-CFXX5R-W006	1 OF 3

REV: A	UNIT: mm	SCALE: 1=1	QUALITY SYMBOLS
--------	----------	------------	-----------------

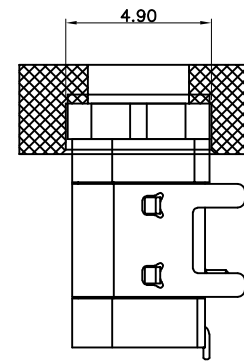
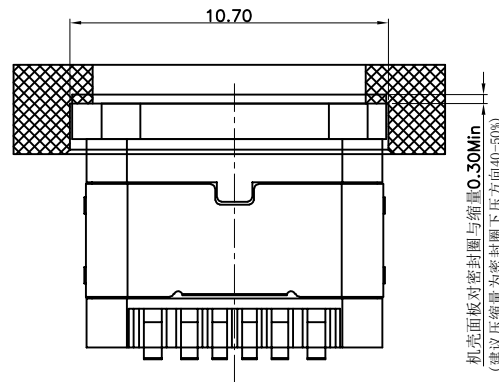
RoHS Compliant



REVISIONS			
REV.	DESCRIPTION	DATE	DESIGN



密封开孔参考尺寸(只供参考)  
 组装外壳时需要打环保润滑油



# Bestcreate Technology Limited

TOLERANCES UNLESS OTHERWISE SPECIFIED:

X.	± 0.30	X.'	± 10'
.X	± 0.20	.X'	± 8'
.XX	± 0.10	.XX'	± 5'

Website: [www.bsc-elec.com](http://www.bsc-elec.com)  
 Email: [bestcreate@bsc-elec.com](mailto:bestcreate@bsc-elec.com)

DESIGN: I. L  
 DATE:

CHECKED: C. W  
 DATE:

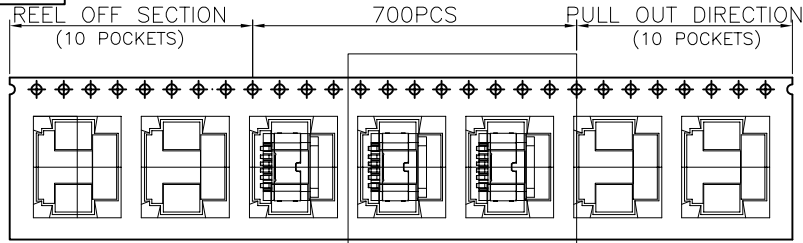
APPROVED: C. W  
 DATE:

TITLE: IPX7 6P USB CF WATERPROOF CONNECTOR

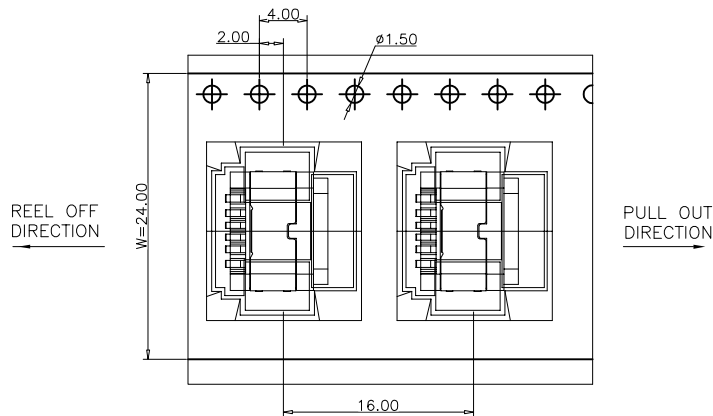
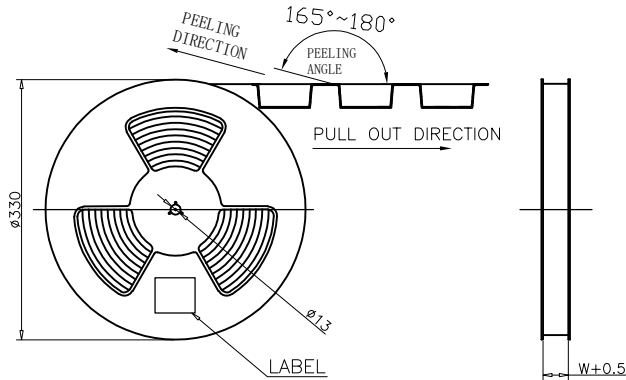
MATERILA:	PART NO: U06-CFXX5R-W006	SIZE: A4
FINSH:	DWG NO: U06-CFXX5R-W006	2 OF 3

REV: A	UNIT: mm	SCALE: 1=1	QUALITY SYMBOLS:
--------	----------	------------	------------------

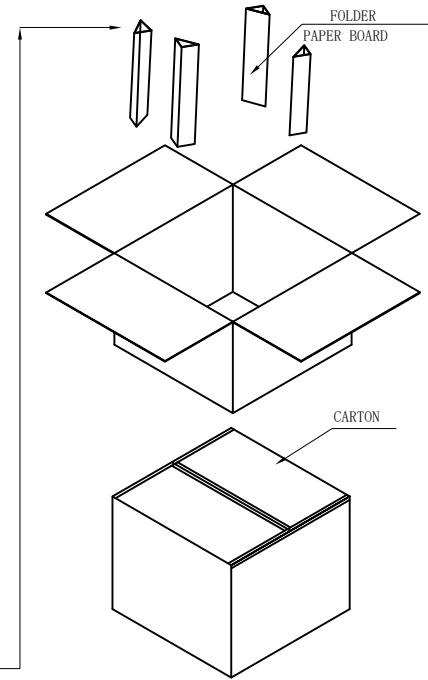
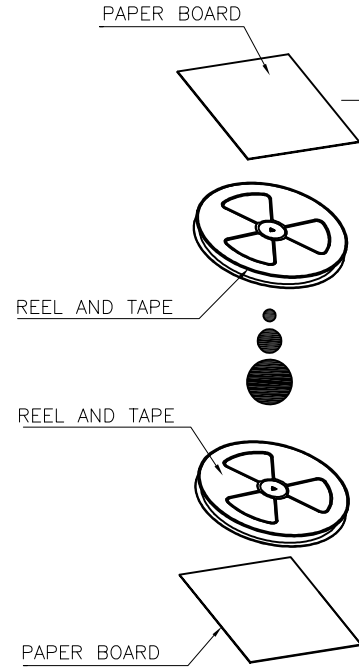
RoHS Compliant



SEE DETAIL X



REVISIONS			
REV.	DESCRIPTION	DATE	DESIGN



	REEL	CARTON
CONNECTOR (PCS)	700	7000

**Bestcreate Technology Limited**

TOLERANCES UNLESS OTHERWISE SPECIFIED:

X.	± 0.30	X.'	± 10"
.X	± 0.20	.X'	± 8"
.XX	± 0.10	.XX'	± 5"

Website: [www.bsc-elec.com](http://www.bsc-elec.com)  
Email: [bestcreate@bsc-elec.com](mailto:bestcreate@bsc-elec.com)

DESIGN: I. L      DATE:      CHECKED: C. W      DATE:      APPROVED: C. W      DATE:

TITLE: IPX7 6P USB CF WATERPROOF CONNECTOR  
MATERILA:      PART NO: U06-CFXX5R-W006      SIZE: A4  
FINSH:      DWG NO: U06-CFXX5R-W006      3 OF 3

REV: A      UNIT mm      SCALE 1=1      QUALITY SYMBOLS