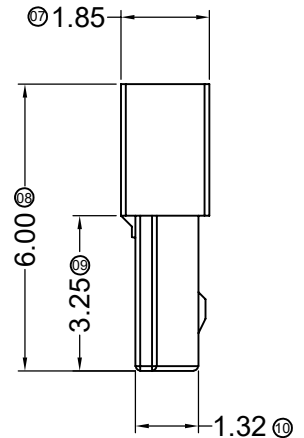
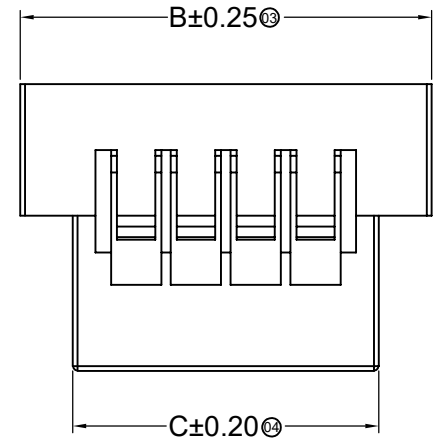
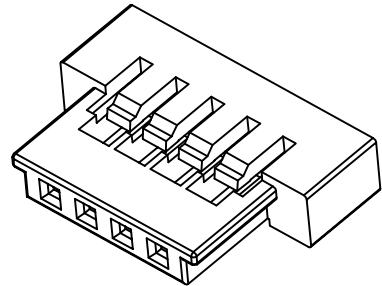
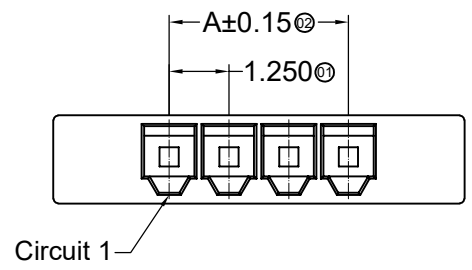


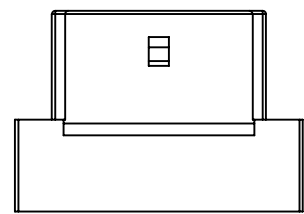
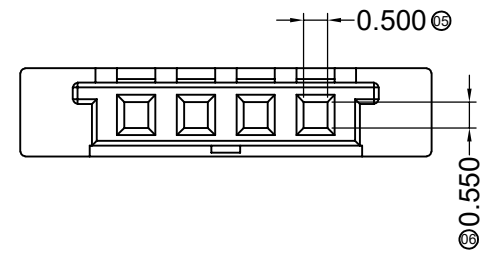
RoHS Compliant

REVISIONS			
REV.	DESCRIPTION	DATE	DESIGN



Specifications :

- Voltage rating: 200V AC / DC
- Current rating: 1A AC / DC
- Withstanding voltage: 500V AC/minute
- Temperature range: -40°C~+85°C
- Insulation resistance: ≥100MΩ
- Contact resistance: ≤40mΩ
- After environmental testing: ≤80mΩ



4P~6P Single Salient
Scale 1:7

Poles	Dimensions(mm)		
	A	B	C
04	3.75	8.60	6.40
05	5.00	9.85	7.65
06	6.25	11.10	8.90

1257H-XX-P0HF	PA66 UL 94V-0 Halogen Free
1257H-XX-P0	PA66 UL 94V-0
Part No.	Material

Bestcreate Technology Limited

TOLERANCES UNLESS OTHERWISE SPECIFIED:			
.X	± 0.30	.X'	± 3'
.XX	± 0.20	.X''	± 2'
.XXX	± 0.10	.XXX'	± 1'

Website: www.bsc-elec.com
Email: bestcreate@bsc-elec.com

DESIGN:	DATE:
I. L	2017. 3. 1
CHECKED:	DATE:
C. W	2017. 3. 1
APPROVED:	DATE:
C. W	2017. 3. 1

TITLE:		
1.25 mm Crimp Style Commtctors		
MATERILA:	PART NO:	SIZE:
	1257H-XX-P0XX	A4
FINSH:	DWG NO:	
	1257H-XX-P0XX	

REV: A	UNIT mm	SCALE 1=1	QUALITY SYMBOLS
--------	---------	-----------	-----------------