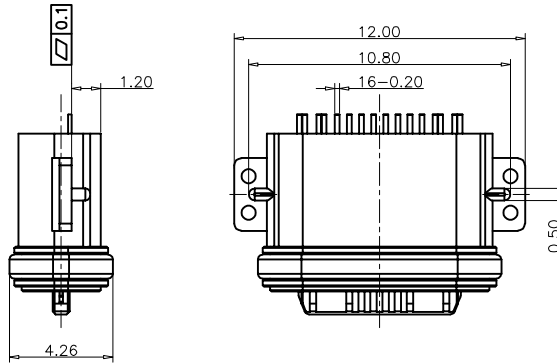
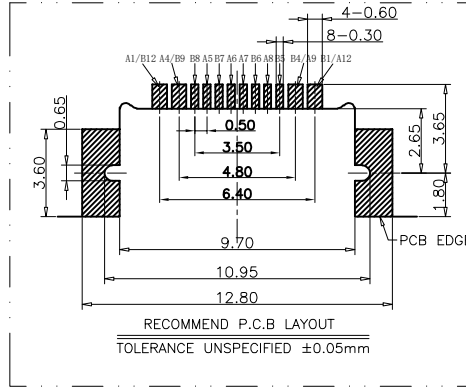
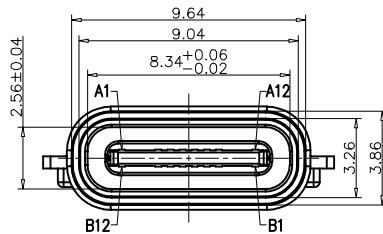
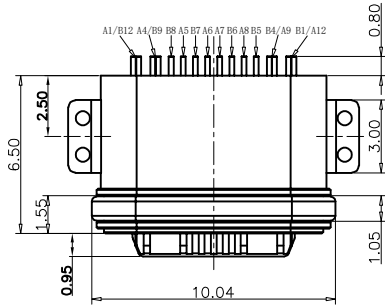
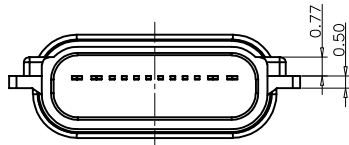
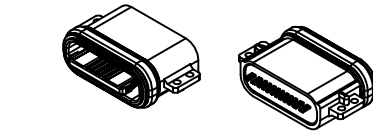


RoHS Compliant



PART NO. INFORMATION

U06-C F X X 5 R - W061-V2

- PORT TYPE
C: TYPE C
- GENDER
F: FEMALE
M: MALE
- CONTACT PLATED
1: GOLD FLASH
2: GOLD 3U"
3: GOLD 5U"
4: GOLD 10U"
5: GOLD 15U"
6: GOLD 30U"
- PACKAGE
R: TAPE REEL
- HOUSING COLOR
2: WHITE
5: BLACK
9: NATURE
- HOUSING MATERIAL
A: LCP B: PBT
C: PA9T D: PA6T
E: PA46 F: PA66

REVISIONS

REV.	DESCRIPTION	DATE	DESIGN

NOTES:

SPECIFICATION:

- 1.CURRENT RATING: 3.0 A
- 2.VOLTAGE RATING: 3.0 V
- 3.VBUS & GND PINS AND OTHER PINS: 40mΩ/PIN MAX
SHIELD: 50mΩ/MAX
LLCR MAX. CHANGE OF ALL PINS: 10Ωm
- 4.INSULATION RESISTANCE: 100MΩ MIN
- 5.DIELECTRIC WITHSTAND VOLTAGE,AC 100V FOR 1MINUTE
- 6.LNSERTION FORCE: 0.5~2.0kgf
- 7.UNMATING FORCE: 0.8-2.0kgf
- 8.DURABILITY: 10000 CYCLES
- 9.OPERATING TEMPERATURE: -35°C~+85°C
- 10.THE PEAK TEMPERATURE ON THE BOARO SHALL
BE MAINTAINED FOR 10 SECONDS AT 210-230°C
- 11.WATERPROOF:IP-X7.

USB TYPE C PIN ASSIGNMENTS

PIN NUMBER	SIGNAL NAME	PIN NUMBER	SIGNAL NAME
A1	GND	B12	GND
A4	VBUS	B9	VBUS
A5	CC1	B8	SBU2
A6	DP1	B7	DN2
A7	DN1	B6	DP2
A8	SBU1	B5	CC2
A9	VBUS	B4	VBUS
A12	GND	B1	GND

TABLE:

NO	PART	Q'TY	Material
1	SHELL	1	ZINC ALLOG,NI30u"Min PLATED
2	CONTACT	16	C7025,TIN80u"/Au3u"/NI30u"PLATED
3	MID PLATE	1	SUS301,NO PLATING
4	HOUSING	1	LCP(E130i) UL94 V-0 BLACK
5	WATERPROOF RING	1	SILICONE(SI/60-65A) UL94 V-0 BLACK

Bestcreate Technology Limited

TOLERANCES UNLESS OTHERWISE SPECIFIED:

.X	± 0.20	X.*	± 5°
.XX	± 0.15	.X*	± 2°
.XXX	± 0.10	.XX*	± 1°

Website:www.bsc-elec.com
Email:bestcreate@bsc-elec.com

DESIGN:
I. L

DATE:

CHECKED:
C. W

DATE:

APPROVED:
C. W

DATE:

TITLE:

IPX7 Waterproof USB TYPE C 16P FEMALE CONNECTOR
MID-MOUNT 1.2MM,L=6.5mm

MATERILA:

PART NO:
U06-CFXX5R-W061-V2

SIZE:
A4

FINSH:

DWG NO:
U06-CFXX5R-W061-V2

REV:
A

UNIT
mm

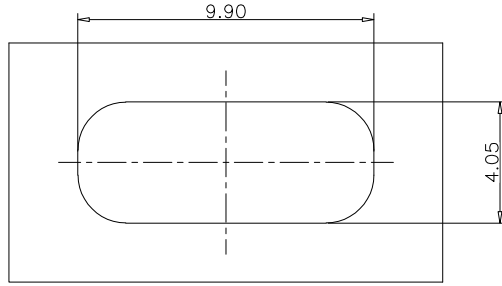
SCALE
1=1

QUALITY SYMBOLS

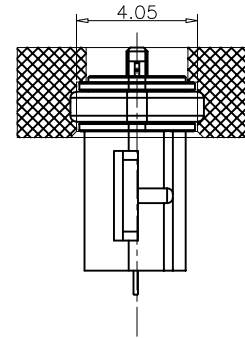
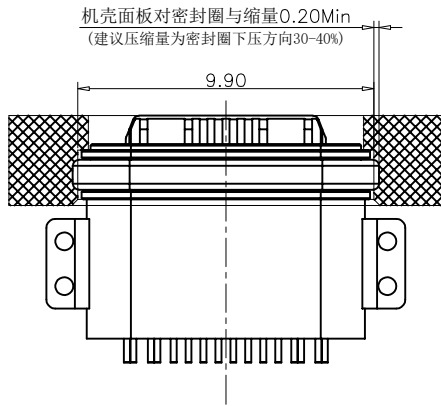
RoHS Compliant



REVISIONS			
REV.	DESCRIPTION	DATE	DESIGN



密封开孔参考尺寸(只供参考)
 组装外壳时需要打环保润滑油



Bestcreate Technology Limited

TOLERANCES UNLESS OTHERWISE SPECIFIED:

.X	± 0.20	X.*	± 5°
.XX	± 0.15	.X*	± 2°
.XXX	± 0.10	.XX*	± 1°

Website: www.bsc-elec.com
 Email: bestcreate@bsc-elec.com

DESIGN: I. L. DATE:

CHECKED: C. W. DATE:

APPROVED: C. W. DATE:

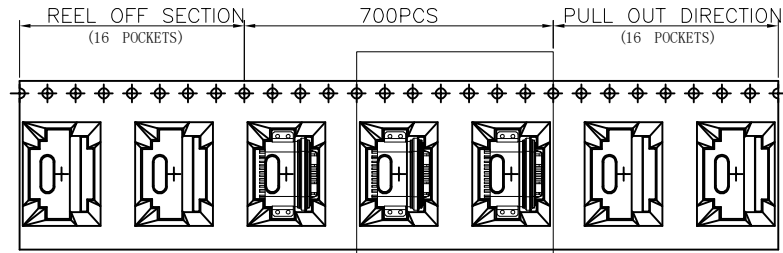
TITLE:
**IPX7 Waterproof USB TYPE C 16P FEMALE CONNECTOR
 MID-MOUNT 1.2MM,L=6.5mm**

MATERILA:	PART NO: U06-CFXX5R-W061-V2	SIZE: A4
FINSH:	DWG NO: U06-CFXX5R-W061-V2	

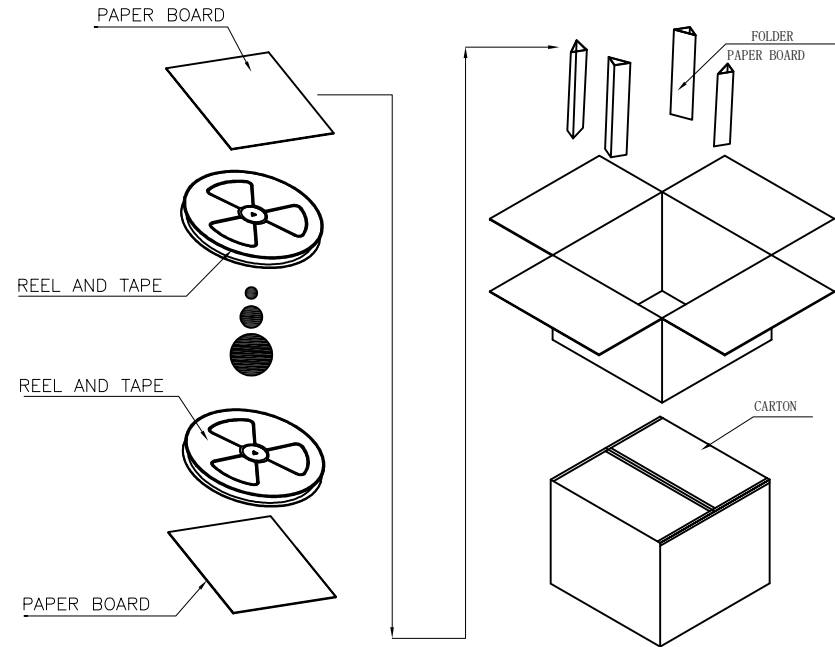
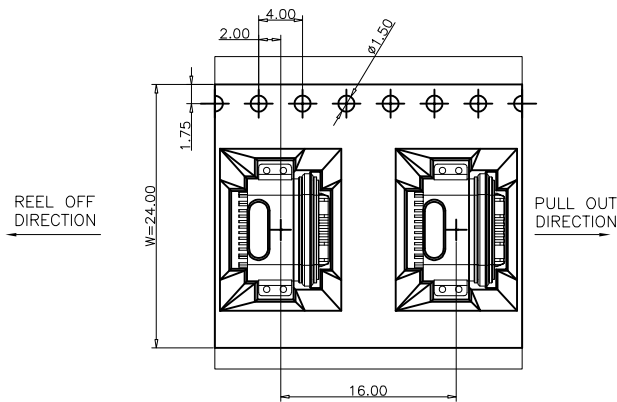
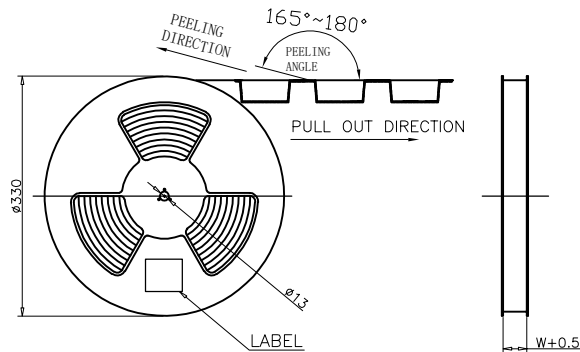
REV: A	UNIT: mm	SCALE: 1=1	QUALITY SYMBOLS:
--------	----------	------------	------------------

RoHS Compliant

REVISIONS			
REV.	DESCRIPTION	DATE	DESIGN



SEE DETAIL X



	REEL	CARTON
CONNECTOR (PCS)	700	7000

Bestcreate Technology Limited

TOLERANCES UNLESS OTHERWISE SPECIFIED:

.X	± 0.20	X."	± 5"
.XX	± 0.15	.X"	± 2"
.XXX	± 0.10	.XX"	± 1"

Website: www.bsc-elec.com
Email: bestcreate@bsc-elec.com

DESIGN:
I. L

DATE:

CHECKED:

DATE:

APPROVED:

DATE:

TITLE:

**IPX7 Waterproof USB TYPE C 16P FEMALE CONNECTOR
MID-MOUNT 1.2MM,L=6.5mm**

MATERILA:

PART NO:

U06-CFXX5R-W061-V2

SIZE:

A4

FINSH:

DWG NO:

U06-CFXX5R-W061-V2

REV:
A

UNIT
mm

SCALE
1=1

QUALITY
SYMBOLS

