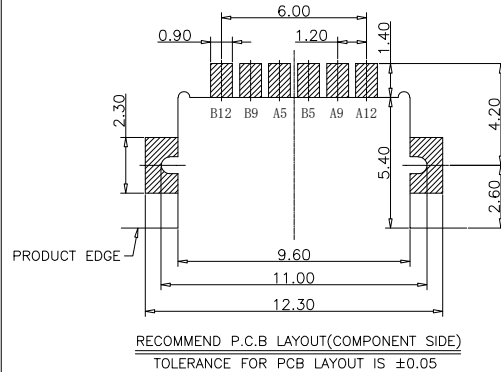
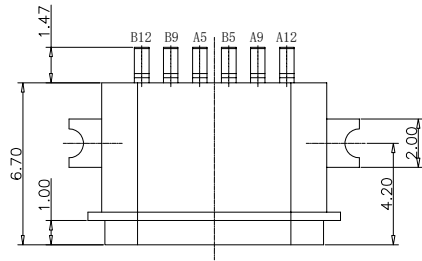


RoHS Compliant

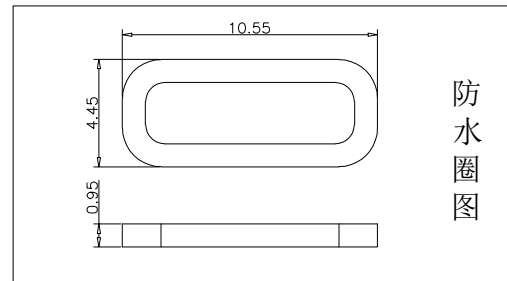
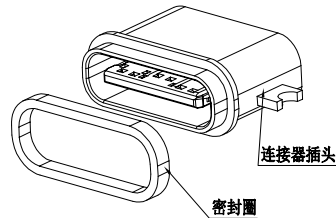
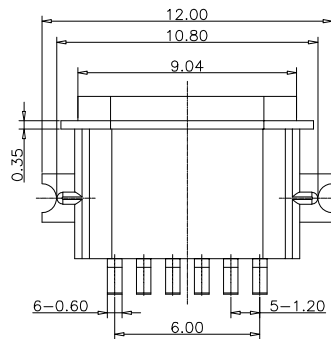
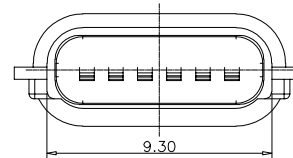
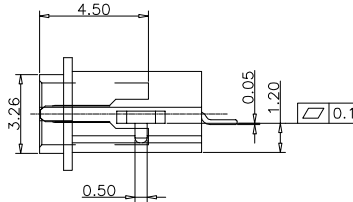
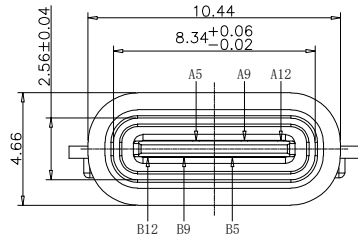


REVISIONS			
REV.	DESCRIPTION	DATE	DESIGN

NOTES:

SPECIFICATION:

- CURRENT RATING: 3.0 A
- VOLTAGE RATING: 5.0 V
- VBUS & GND PINS AND OTHER PINS: 40mΩ/PIN MAX  
SHIELD: 50mΩ/MAX  
LLCR MAX. CHANGE OF ALL PINS: 10Ωm
- INSULATION RESISTANCE: 100MΩ MIN
- DIELECTRIC WITHSTAND VOLTAGE, AC 100V FOR 1MINUTE
- INSERTION FORCE: 0.5-2.0kgf
- UNMATING FORCE: 0.6-2.0kgf
- DURABILITY: 10000 CYCLES
- OPERATING TEMPERATURE: -35°C~+85°C
- THE PEAK TEMPERATURE ON THE BOARD SHALL BE MAINTAINED FOR 10 SECONDS AT 210-230°C
- WATERPROOF: IP-X7.



USB TYPE C PIN ASSIGNMENTS

PIN NUMBER	SIGNAL NAME	PIN NUMBER	SIGNAL NAME
		B12	GND
		B9	VBUS
A5	CC1		
		B5	CC2
A9	VBUS		
A12	GND		

PART NO. INFORMATION

**U06-C F X X 5 R - W026 - V2**

- PORT TYPE: C: TYPE C
- GENDER: F: FEMALE, M: MALE
- CONTACT PLATED: 1: GOLD FLASH, 2: GOLD 3U'', 3: GOLD 5U'', 4: GOLD 10U'', 5: GOLD 15U'', 6: GOLD 30U''
- PACKAGE: R: TAPE REEL
- HOUSING COLOR: 2: WHITE, 5: BLACK, 9: NATURE
- HOUSING MATERIAL: A: LCP, B: PBT, C: PA9T, D: PA6T, E: PA46, F: PA66

TABLE:

NO	PART	Q'TY	
1	SHELL	1	ZINC ALLOY, NI30u"Min PLATED
2	CONTACT	6	C2680, TIN80u"/Au1u"/Ni30u" PLATED
3	1MD HOUSING	1	LCP UL94 V-0 BLACK
4	WATERPROOF RING	1	SILICONE UL94 V-0 BLACK

**Bestcreate Technology Limited**

TOLERANCES UNLESS OTHERWISE SPECIFIED:

.X	± 0.20	X.*	± 5*
.XX	± 0.15	.X.*	± 2*
.XXX	± 0.10	.XX.*	± 1*

Website: www.bsc-elec.com

Email: bestcreate@bsc-elec.com

DESIGN: I.L DATE:

CHECKED: C.W DATE:

APPROVED: C.W DATE:

TITLE: IPX7 Waterproof USB TYPE C 6P FEMALE CONNECTOR  
Mid Mount 1.2mm, L=6.70mm

MATERIAL: PART NO: U06-CFXX5R-W026-V2 SIZE: A4

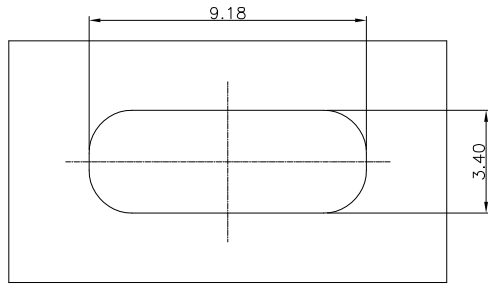
FINISH: DWG NO: U06-CFXX5R-W026-V2 1 OF 3

REV: A UNIT mm SCALE 1=1 QUALITY SYMBOLS

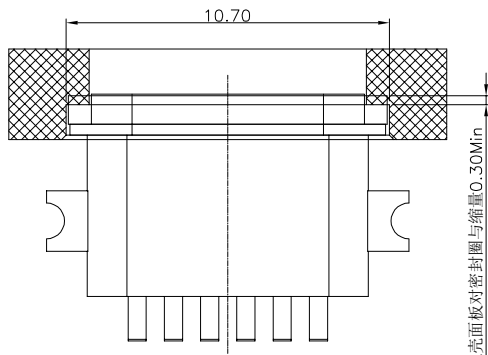
RoHS Compliant



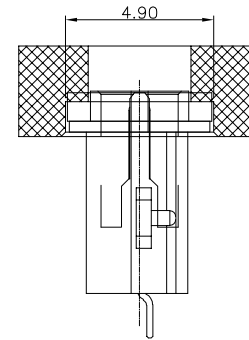
REVISIONS			
REV.	DESCRIPTION	DATE	DESIGN



密封开孔参考尺寸(只供参考)  
 组装外壳时需要打环保润滑油



机壳面板对密封圈与缩量0.30mm  
 (建议压缩量为密封圈下压方向40-50%)



**Bestcreate Technology Limited**

TOLERANCES UNLESS OTHERWISE SPECIFIED:

.X	± 0.20	X.*	± 5*
.XX	± 0.15	.X*	± 2*
.XXX	± 0.10	.XX*	± 1*

Website: [www.bsc-elec.com](http://www.bsc-elec.com)  
 Email: [bestcreate@bsc-elec.com](mailto:bestcreate@bsc-elec.com)

DESIGN: I.L DATE:

CHECKED: C.W DATE:

APPROVED: C.W DATE:

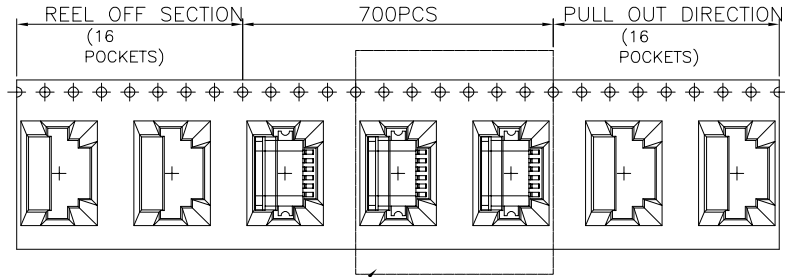
TITLE:  
**IPX7 Waterproof USB TYPE C 6P FEMALE CONNECTOR**  
**Mid Mount 1.2mm,L=6.70mm**

MATERILA:	PART NO: U06-CFXX5R-W026-V2	SIZE: A4
FINSH:	DWG NO: U06-CFXX5R-W026-V2	2 OF 3

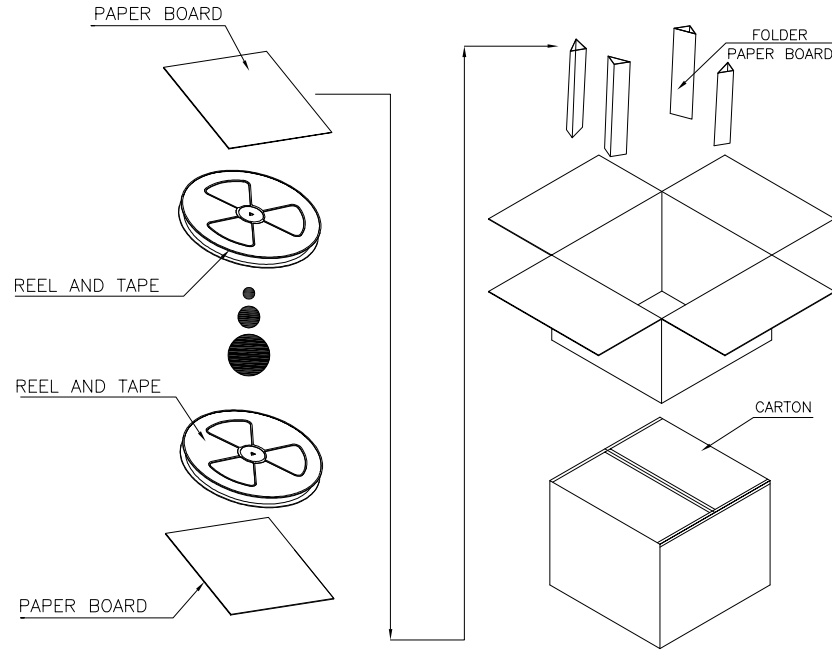
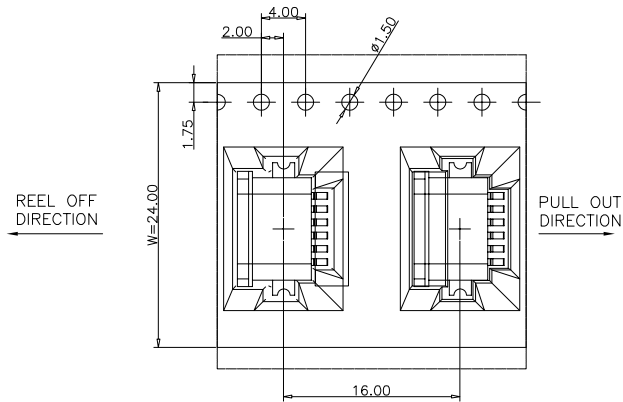
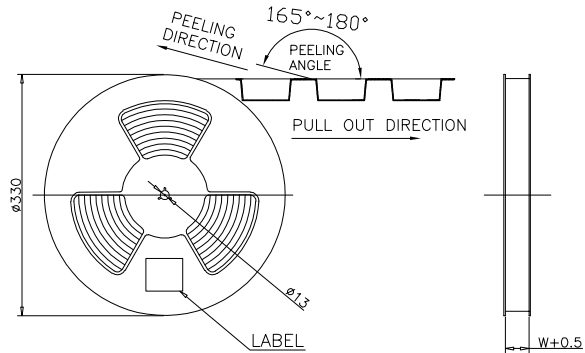
REV: A	UNIT mm	SCALE 1=1	QUALITY SYMBOLS
--------	---------	-----------	-----------------

RoHS Compliant

REVISIONS			
REV.	DESCRIPTION	DATE	DESIGN



SEE DETAIL X



	REEL	CARTON
CONNECTOR (PCS)	700	7000

**Bestcreate Technology Limited**

TOLERANCES UNLESS OTHERWISE SPECIFIED:

.X	± 0.20	.X'	± 5'
.XX	± 0.15	.X''	± 2'
.XXX	± 0.10	.X'''	± 1'

Website: [www.bsc-elec.com](http://www.bsc-elec.com)  
 Email: [bestcreate@bsc-elec.com](mailto:bestcreate@bsc-elec.com)

DESIGN: I.L      DATE:

CHECKED: C.W      DATE:

APPROVED: C.W      DATE:

TITLE: **IPX7 Waterproof USB TYPE C 6P FEMALE CONNECTOR Mid Mount 1.2mm,L=6.70mm**

MATERILA:	PART NO: U06-CFXX5R-W026-V2	SIZE: A4
FINSH:	DWG NO: U06-CFXX5R-W026-V2	3 OF 3

REV: A	UNIT mm	SCALE 1=1	QUALITY SYMBOLS
--------	---------	-----------	-----------------