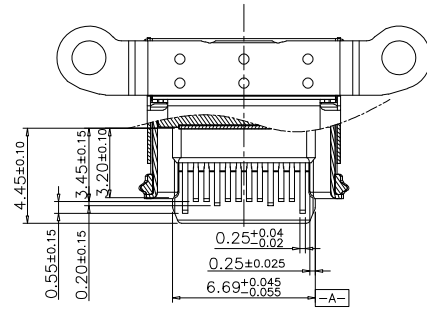
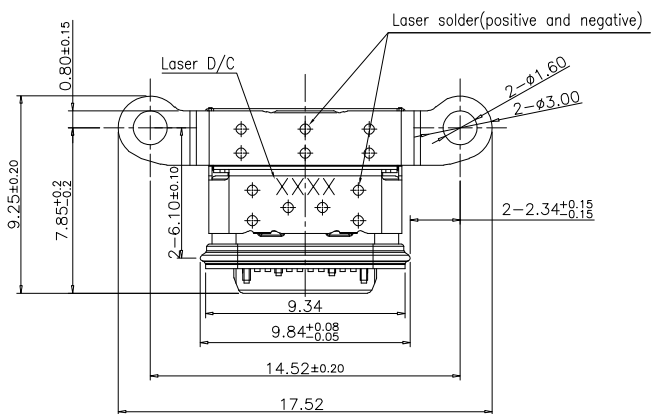


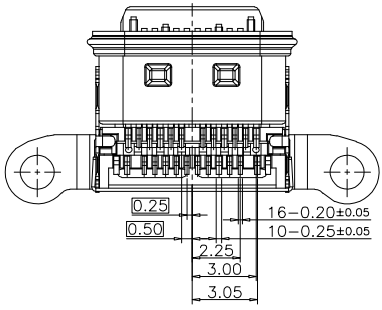
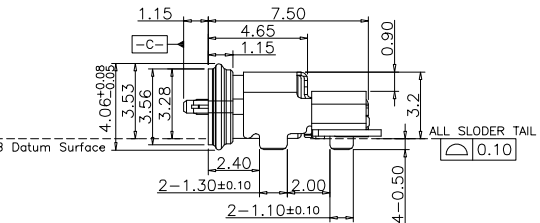
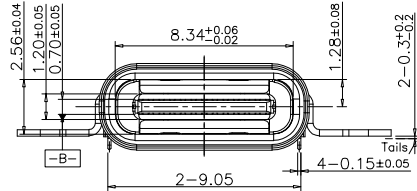
RoHS Compliant



REVISIONS			
REV.	DESCRIPTION	DATE	DESIGN



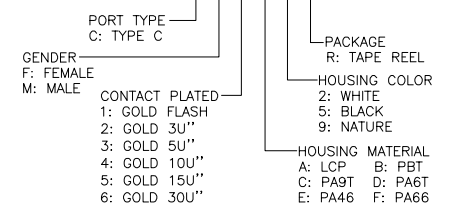
NOTE:
 1.ELECTRICAL PERFORMANCE,
 1-1. CURRENT RATING:5 AMPS. FOR TOTAL VBUS/GND PINS;
 1.25AMPS FOR CC PIN,0.25 AMPS. FOR ALL OTHER CONTACT.
 1-2. VOLTAGE RATING:20V DC/AC (RMS. MAX)
 1-3. LLCR:.
 VBUS & GND PINS AND OTHER PINS: 40MΩ/PIN MAX.
 SHIELD:50MΩ/MAX.
 LLCR MAX. CHANGE OF ALL PINS: 10MΩ.
 1-4.INSULATION RESISTANCE: 100MΩ MIN
 1-5.DIELECTRIC WITHSTAND VOLTAGE,AC 100V FOR 1 MINUTE.
 2.MECHANICAL PERFORMANCE,
 2-1.INSERTION FORCE: 5~20N.
 2-2.EXTRACTION FORCE: 8~20N.
 2-3.DURABILITY: 10000 CYCLES.
 3.ENVIRONMENTAL PERFORMANCE:
 OPERATING TEMPERATURE: -30°C~+85°C.
 4.IR REFLOW:
 THE PEAK TEMPERATURE ON THE BOARD SHALL
 BE MAINTAINED FOR 10 SECONDS AT 260°C.



9	GLUE	1	SILICONE	Black
8	CLAMP	2	SUS	N/A
7	CONTACT	1	Copper alloy	Ni plating on the soldering area Au plating on contact area Au plating on soldering area
6	I/M HOUSING	1	Thermoplastic	Black
5	PLATE	1	SUS	Ni plating on the soldering area
4	SHELL	1	SUS	N/A
3	O-RING	1	SILICONE	N/A
2	CLIP	1	SUS	Ni plating on the soldering area
1	PINNA	1	SUS	N/A
Item	PART NAME	QTY	Material	Treatment

PART NO. INFORMATION

U06-C F X X 5 R - W178



Bestcreate Technology Limited

TOLERANCES UNLESS OTHERWISE SPECIFIED:

X.	±	0.20	X.*	±	5°
.XX	±	0.15	.X*	±	2°
.XXX	±	0.10	.XX*	±	1°

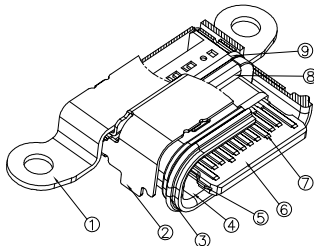
Website:www.bsc-elec.com
 Email:bestcreate@bsc-elec.com

DESIGN: I. L
 DATE: 2018. 7. 7
 CHECKED: C. W
 DATE: 2018. 7. 7
 APPROVED: C. W
 DATE: 2018. 7. 7

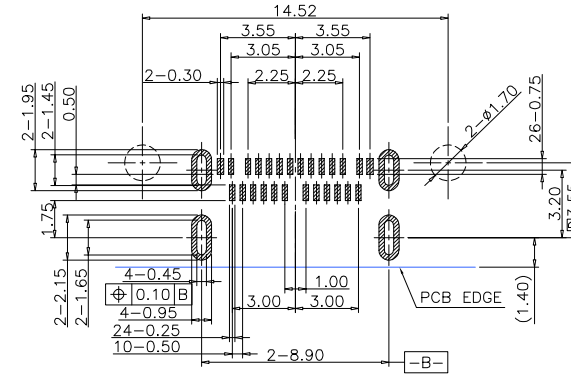
TITLE: IPX7 24P WATERPROOF USB C FEMALE CONNECTOR TOP MOUNT WITH SCREW
 MATERILA: PART NO: U06-CFXX5R-W178 SIZE: A4
 FINSH: DWG NO: U06-CFXX5R-W178 1 OF 3

REV: A UNIT mm SCALE 1=1 QUALITY SYMBOLS

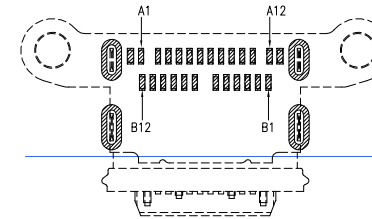
RoHS Compliant



REVISIONS			
REV.	DESCRIPTION	DATE	DESIGN



RECOMMENDED PCB PAD LAYOUT
TOLERANCE:0.05mm



PIN DEFINITION:

PIN No.	A1	A2	A3	A4	A5	A6	A7	A8	A9	A10	A11	A12
	GND	TX1+	TX1-	VBus	CC1	D+	D-	SBU1	VBus	RX2-	RX2+	GND
PIN No.	B12	B11	B10	B9	B8	B7	B6	B5	B4	B3	B2	B1
	GND	RX1+	RX1-	VBus	SBU2	D-	D+	CC2	VBus	TX2-	TX2+	GND

Bestcreate Technology Limited

TOLERANCES UNLESS OTHERWISE SPECIFIED:

X.	± 0.20	X.*	± 5°
.XX	± 0.15	.X*	± 2°
.XXX	± 0.10	.XX*	± 1°

Website: www.bsc-elec.com
Email: bestcreate@bsc-elec.com

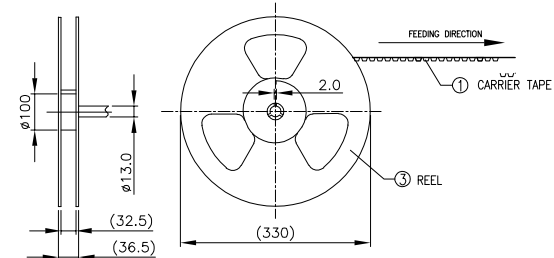
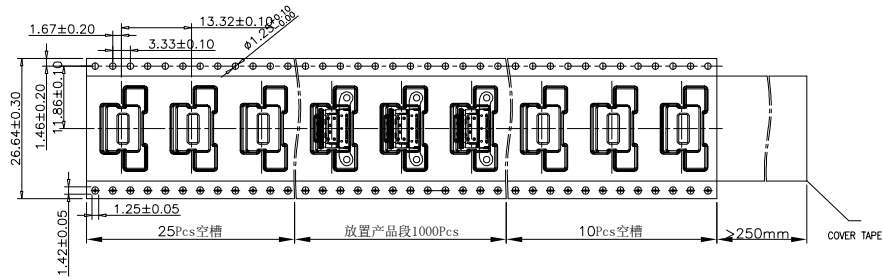
DESIGN: I. L
2018. 7. 7
CHECKED: C. W
2018. 7. 7
APPROVED: C. W
2018. 7. 7

DATE: DATE: DATE:
TITLE: IPX7 24P WATERPROOF USB C FEMALE CONNECTOR TOP MOUNT WITH SCREW
MATERILA: PART NO: U06-CFXX5R-W178
FINSH: DWG NO: U06-CFXX5R-W178
SIZE: A4
2 OF 3

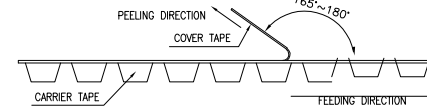
REV: A UNIT mm SCALE 1=1 QUALITY SYMBOLS

RoHS Compliant

REVISIONS			
REV.	DESCRIPTION	DATE	DESIGN



NOTES:
 1, POCKET HOLE PITCH CLUMATIVE TOLERANCE $\pm 0.40\text{mm}$
 2, COVER TAPE PEELING STRENGTH : 30~100gf AT 300mm/MIN



3, Packaging capacity:
 1000pcs/REEL; 8REEL/CARTON ; TOTAL: 8000PCS/CARTON
 4, Packaging Use Attention:
 NOT TWISTED OVER 90° WITHIN 1000mm.

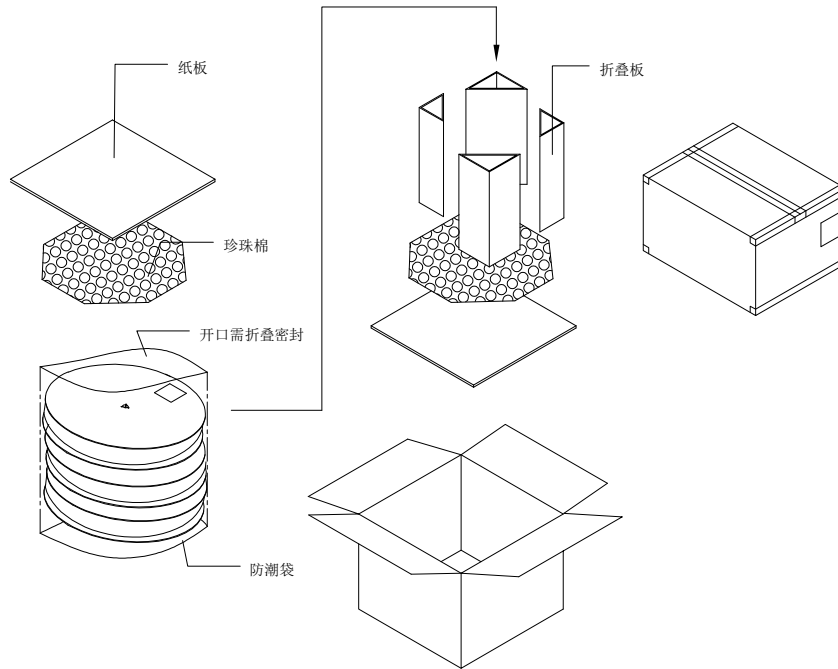


TABLE:

NO.	NAME	SPEC.	REMARK
①	成品	24pin 防水TYPE C	8000PCS/箱
②	下带(载带)	PS料透明状,W=32mm,P=16mm,T=0.35mm	/
③	上带(盖带)	W=25.5mm,T=0.06mm,透明状	/
④	REEL(蓝色卷盘)	外直径330mm,内直径100mm	8PCS
⑤	三角柱	/	4PCS
⑥	隔板	330*330*5mm	2PCS
⑦	CARTON (外箱)	330*330*320mm	1PCS
⑧	防水袋	600*390*800mm,白色	1PCS
⑨	干燥剂	-----	2PCS

Bestcreate Technology Limited

TOLERANCES UNLESS OTHERWISE SPECIFIED:

X.	± 0.20	X.*	$\pm 5^*$
.XX	± 0.15	.X*	$\pm 2^*$
.XXX	± 0.10	.XX*	$\pm 1^*$

Website:www.bsc-elec.com
 Email:bestcreate@bsc-elec.com

DESIGN: I.L
 2018.7.7
 CHECKED: C.W
 2018.7.7
 APPROVED: C.W
 2018.7.7

DATE: DATE: DATE:
 TITLE: IPX5 16P WATERPROOF USB C FEMALE CONNECTOR SMT, L=5.37MM
 MATERILA: PART NO: U06-CFXX5R-W178
 FINSH: DWG NO: U06-CFXX5R-W178
 SIZE: A4
 2 OF 3

REV: A UNIT mm SCALE 1=1 QUALITY SYMBOLS